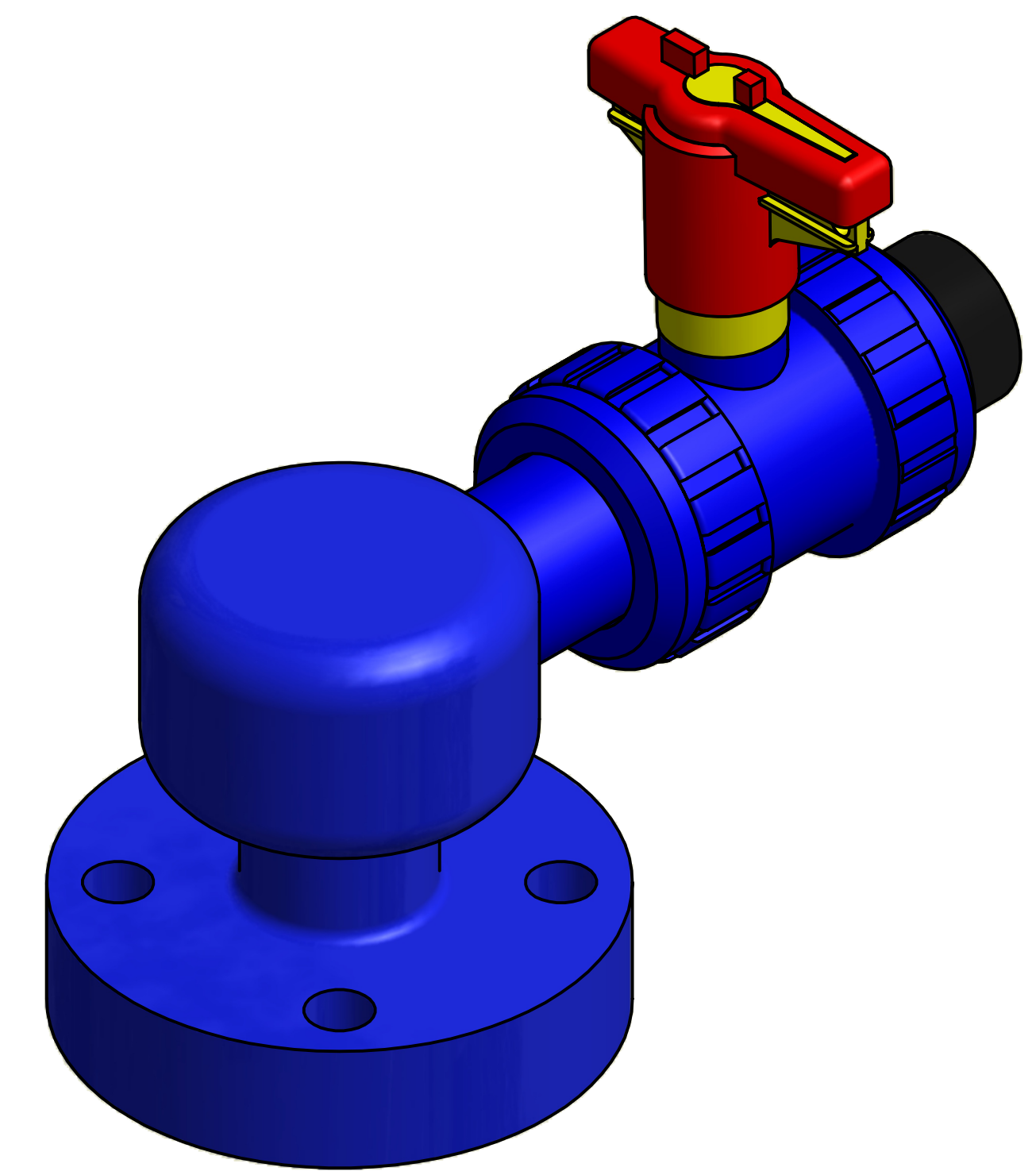
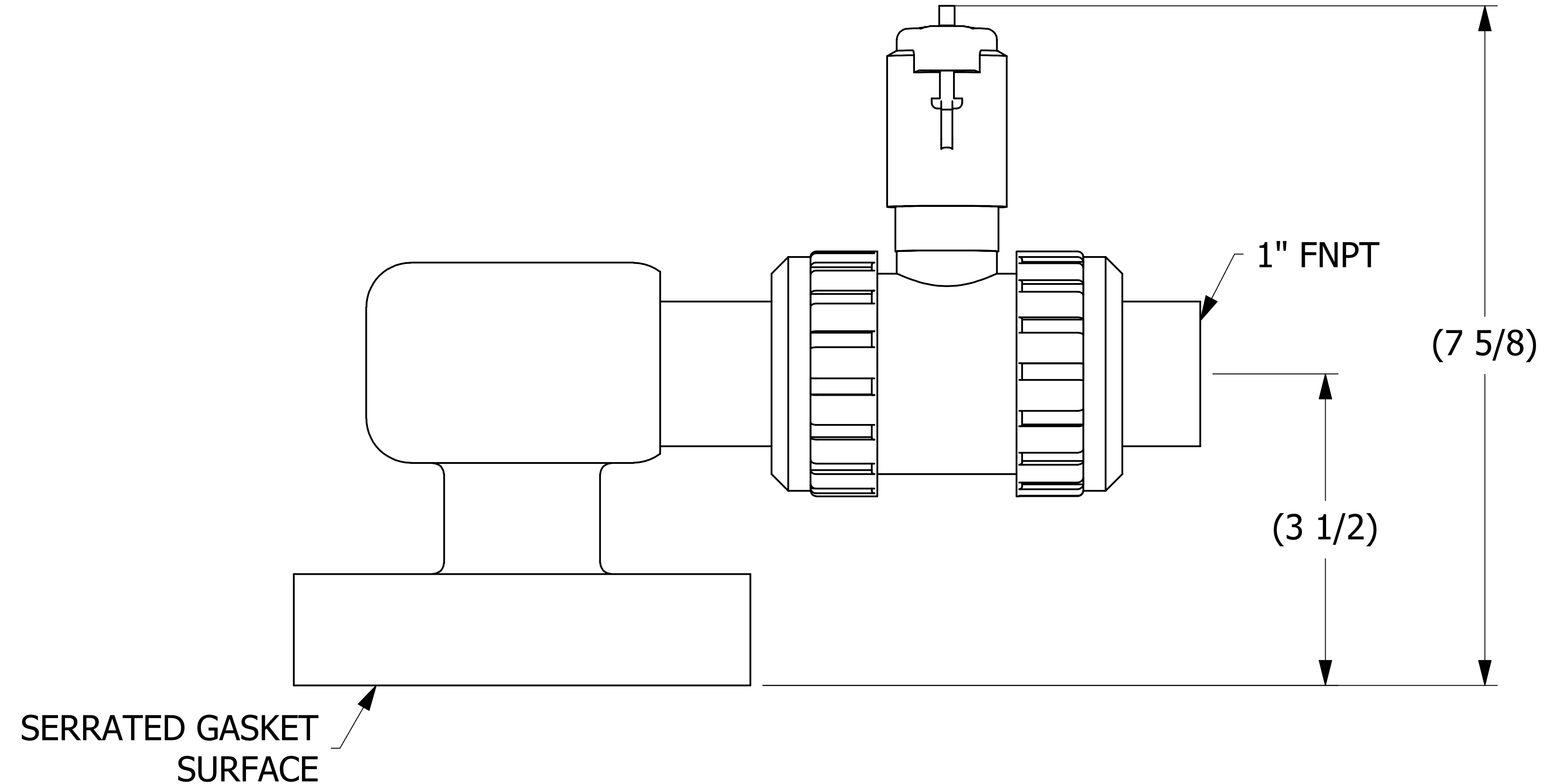
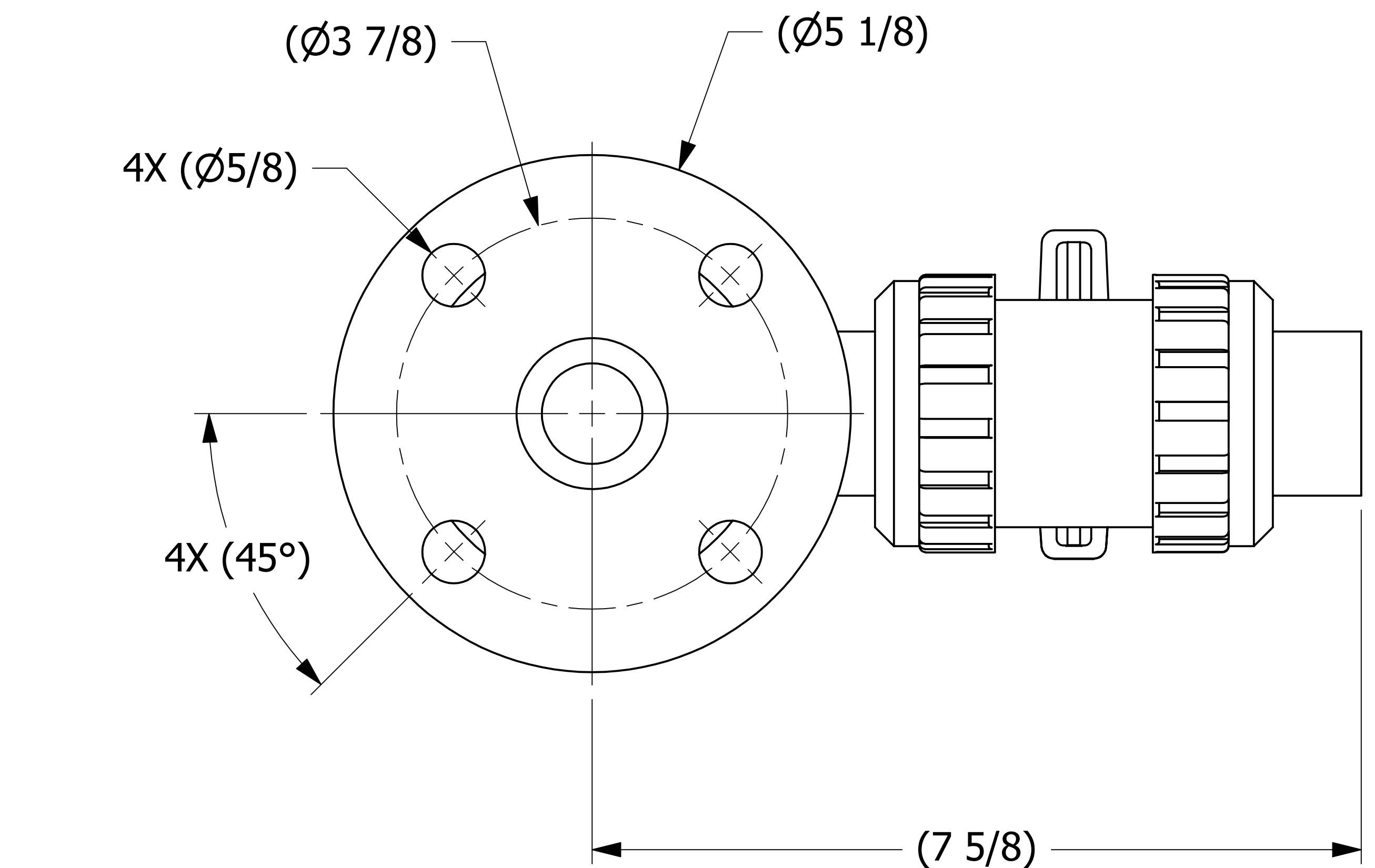


SALES DRAWING SALES DRAWING SALES DRAWING

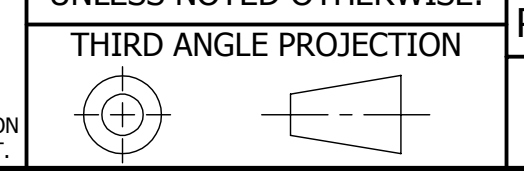
SALES DRAWING SALES DRAWING SALES DRAWING



ISOMETRIC VIEW



UNLESS OTHERWISE SPECIFIED
DIMENSIONAL TOLERANCES
FRACTIONAL: $\pm 1/16$
X.XX: $\pm .03$
X.XXX: $\pm .015$
ANGULAR: $\pm 1^\circ$
DEBURR ALL SHARP EDGES.
ALL MACHINED SURFACES TO
HAVE A 125 RMS FINISH
UNLESS NOTED OTHERWISE.



| | |
|-----------------------------|------------|
| DRAWN BY: | GDS |
| CHECKED BY: | CHL |
| PROTOTYPE BY: | GDS |
| PROTOTYPE DATE: | 11/4/2014 |
| APPROVED FOR PRODUCTION BY: | TAK |
| PRODUCTION DATE: | 11/12/2014 |

| | | | |
|--|--------|----------|-------------------------|
| A | TAK | 11-12-14 | RELEASED FOR PRODUCTION |
| REV | BY | DATE | DESCRIPTION |
| SALCO PRODUCTS, INC. | | | |
| PART NAME: AIR VALVE ASSEMBLY 1 1/2"X1"X90° | | | |
| MATERIAL: SEE BOM | | | |
| PROJECT #: | 130411 | SHEET #: | 1 OF 1 |
| DRAWING #: | D40276 | PART #: | HSVAPE40276 |
| | | SCALE: | 1:1 |

THIS PRINT, PROPERTY OF SALCO PRODUCTS INC. CONTAINS PROPRIETARY INFORMATION AND MUST NOT BE COPIED, REPRODUCED, OR USED DETRIMENTALLY TO OUR INTEREST.